



# Addressable Monitor Module

Model : PTSAMMX501

## Datasheet

<http://www.pinetreesystems.com>



### Outline

Addressable Monitor module is intended to monitor the status and interface external devices with dry contacts such as flow switches, temperature sensor, beam detector, flame detector etc. The device senses and transmits appropriate signal to the fire alarm control panel when external devices are activated.

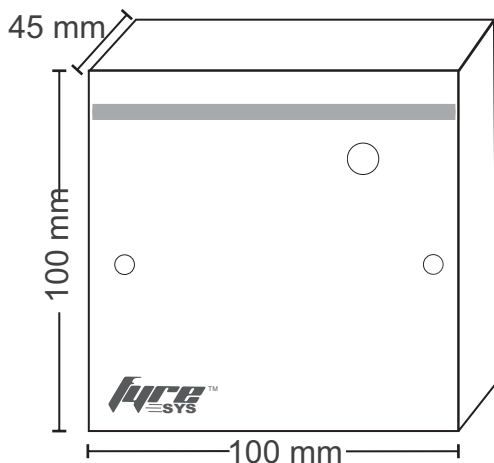
### Features & Benefits

- Low current consumption
- Easy installation and maintenance
- Excellent reliability high stability

### Technical Specification

<b>Product Class</b>	: Addressable
<b>Operating Voltage</b>	: 18-27V DC
<b>Housing</b>	: ABS
<b>Power</b>	: Loop Powered
<b>Operating Temperature</b>	: -10°C to +65°C

### Mechanical Specifications



### Dimensions

Height	: 100 mm
Width	: 100 mm
Depth	: 45 mm

Approvals

