



# Addressable Control Module

Model : PTSACMX501

## Datasheet

<http://www.pinetreesystems.com>



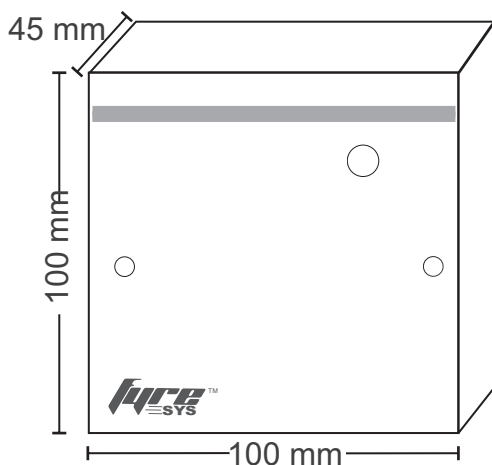
### Outline

Addressable control modules are designed to control other external equipments, such as door locks, fire suppression systems, AHU shutdown etc with suitable dry contact relays. Relay ratings/capacity will vary with respect to the application and model.

### Features & Benefits

- Low current consumption
- Easy installation and maintenance
- Loop powered / External power selection
- Excellent reliability high stability

### Mechanical Specifications



### Technical Specification

<b>Product Class</b>	: Addressable
<b>Operating Voltage</b>	: 18-27V DC
<b>Housing</b>	: ABS
<b>Power</b>	: Loop / External Power
<b>Operating Temperature</b>	: -10°C to +65°C
<b>Contact Rating</b>	: DC 24V 2A, 220V AC 5A (Standard) Varies with respect to model and application

### Dimensions

Height	: 100 mm
Width	: 100 mm
Depth	: 45 mm

### Approvals

